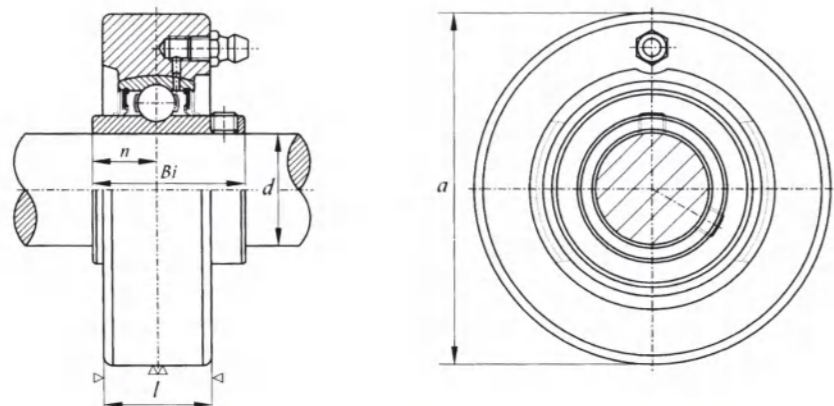


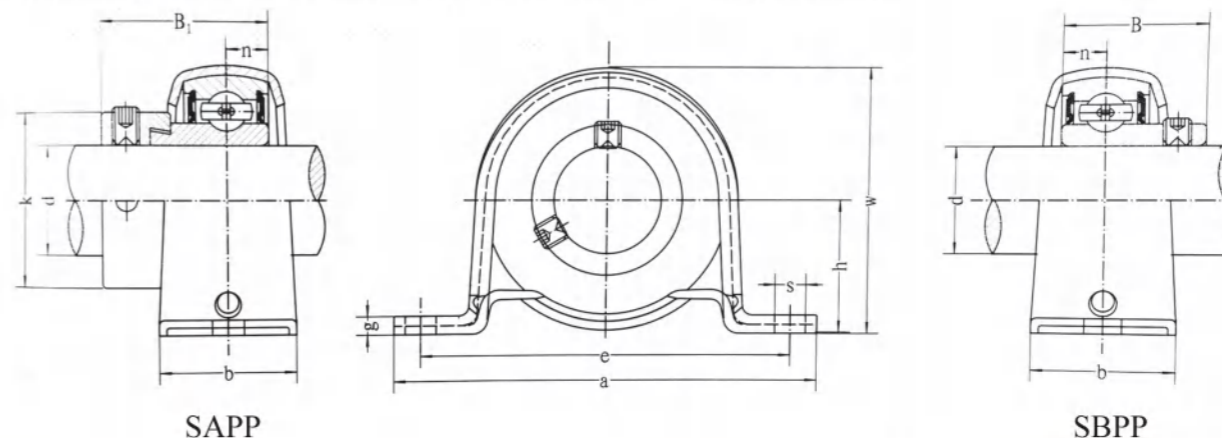
环形座  
Cartridge Units

UCC 200 (normal-duty)



带座轴承代号 Bearing Unit No.	轴 径 Shaft Dia.		外形尺寸(毫米) Dimensions (mm)				Bearing No.	Housing No.	重量 Weight (kg)
	(in.)	(mm)	a	l	Bi	n			
UCC201 201-8	1/2	12	72	20	31.0	12.7	UC201 201-8	C201	0.50
UCC202 202-10	5/8	15	72	20	31.0	12.7	UC202 202-10	C202	0.50
UCC203 203-11	1 1/16	17	72	20	31.0	12.7	UC203 203-11	C203	0.50
UCC204-12 204	3/4	20	72	20	31.0	12.7	UC204-12 204	C204	0.50
UCC205-14 205-15 205 205-16	7/8 1 5/16 1	25	80	22	34	14.3	UC205-14 205-15 205 205-16	C205	0.64
UCC206-18 206 206-19 206-20	1 1/8 1 3/16 1 1/4	30	85	27	38.1	15.9	UC206-18 206 206-19 206-20	C206	0.81
UCC207-20 207-21 207-22 207 207-23	1 1/4 1 5/16 1 3/8 1 7/16	35	90	28	42.9	17.5	UC207-20 207-21 207-22 207 207-23	C207	0.93
UCC208-24 208-25 208	1 1/2 1 9/16	40	100	30	49.2	19	UC208-24 208-25 208	C208	1.2
UCC209-26 209-27 209-28 209	1 5/8 1 11/16 1 3/4	45	110	31	49.2	19	UC209-26 209-27 209-28 209	C209	1.5
UCC210-30 210-31 210 210-32	1 7/8 1 15/16 2	50	120	33	51.6	19	UC210-30 210-31 210 210-32	C210	2.0
UCC211-32 211-34 211 211-35	2 2 1/8 2 3/16	55	125	35	55.6	22.2	UC211-32 211-34 211 211-35	C211	2.2
UCC212-36 212 212-38 212-39	2 1/4 2 3/8 2 7/16	60	130	38	65.1	25.4	UC212-36 212 212-38 212-39	C212	2.6
UCC213-40 213	2 1/2	65	140	40	65.1	25.4	UC213-40 213	C213	3.0

冲压立式座 Pressed Housing Pillow Blocks (light-duty)



带座轴承 型号	名义尺寸(mm)										螺栓 规格	轴承 型号	轴承座 型号	重量 (kg)
	d	h	a	e	b	s	g	w	B1	n				
SAPP201	12	22.2	86	68	25	9.5	3.2	43.8	28.6	6.5	M8	SA201	PP201	0.19
SAPP202	15	22.2	86	68	25	9.5	3.2	43.8	28.6	6.5	M8	SA202	PP202	0.18
SAPP203	17	22.2	86	68	25	9.5	3.2	43.8	28.6	6.5	M8	SA203	PP203	0.17
SAPP204	20	25.4	98	76	32	9.5	3.2	50.5	31.0	7.5	M8	SA204	PP204	0.25
SAPP205	25	28.6	108	86	32	11.5	4.0	56.6	31.0	7.5	M10	SA205	PP205	0.32
SAPP206	30	33.3	117	95	38	11.5	4.0	66.3	35.7	9.0	M10	SA206	PP206	0.47
SAPP207	35	39.7	129	106	42	11.5	4.6	78.0	38.9	9.5	M10	SA207	PP207	0.76
SAPP208	40	43.7	148	120	43	13.0	5.0	86.2	43.7	11.0	M12	SA208	PP208	0.92

带座轴承 型号	名义尺寸(mm)										螺栓 规格	轴承 型号	轴承座 型号	重量 (kg)
	d	h	a	e	b	s	g	w	B	n				
SBPP201	12	22.2	86	68	25	9.5	3.2	43.8	22	6.0	M8	SB201	PP201	0.16
SBPP202	15	22.2	86	68	25	9.5	3.2	43.8	22	6.0	M8	SB202	PP202	0.15
SBPP203	17	22.2	86	68	25	9.5	3.2	43.8	22	6.0	M8	SB203	PP203	0.14
SBPP204	20	25.4	98	76	32	9.5	3.2	50.5	25	7.0	M8	SB204	PP204	0.22
SBPP205	25	28.6	108	86	32	11.5	4.0	56.6	27	7.5	M10	SB205	PP205	0.28
SBPP206	30	33.3	117	95	38	11.5	4.0	66.3	30	8.0	M10	SB206	PP206	0.42
SBPP207	35	39.7	129	106	42	11.5	4.6	78.0	32	8.5	M10	SB207	PP207	0.63
SBPP208	40	43.7	148	120	43	13.0	5.0	86.2	34	9.0	M12	SB208	PP208	0.76